

# Enercon XL Series

## Narrow web surface treater



Enercon ceramic electrodes deliver high levels of treatment for a wide variety of applications.



Enercon's XL Series

If you are looking for XL-lence in narrow web corona treatment - look no further. Enercon's new XL Series narrow web corona treating system combines the best features of our proven TL Series treater with some remarkable improvements.

**Enercon's XL Series-** the new XL narrow web corona treating system from Enercon represents a great leap forward. Designed for high powered performance with user friendliness in mind, priced right, and easy to install, the new XL treating system from Enercon is today's best choice for narrow web converters.

### Standard Features

#### Power Supply in a Drawer

The power supply is built right into the station. This eliminates the need to locate, mount and wire the power supply in a remote location.

#### Increased Treating Power

A unique new system design allows stations with only one electrode assembly to do the job that previously required two, resulting in an overall design that delivers 40%+ more treat power while requiring 20% less space for positioning and mounting.

#### Remote Control

Set a precise treatment level in seconds for automatic, consistent treatment control.  
(8 1/2" H x 10 1/4" W x 4 1/2" D); (22 cm H x 26 cm W x 11 cm D)

#### Easy Maintenance

Electrode assemblies have been redesigned for easy removal, making station cleaning and maintenance a breeze without tools.

#### Smaller by Design

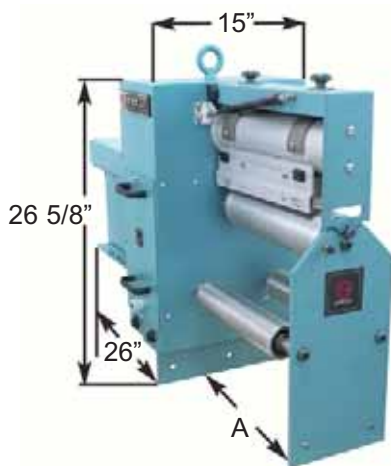
Saves considerable space to fit virtually all narrow web presses. Total cubic size has been reduced 20%.

#### Complete Electrical Safety

Electrical interlock has been added to indicate "out of position" electrode, increasing operator safety.

#### Ozone Removal

Ducting for ozone exhaust has been relocated to preserve prime operator work space while ensuring an ozone safe work area. Optional ozone destruct unit available.



**Smaller by Design**  
Fit virtually all narrow web presses.



**Optional Watt Density Control**  
New, brighter, easy-to-read display. Allows operator to set precise treatment level in seconds for automatic, consistent treatment control. Small 10" x 10" x 6" footprint.



**AAA Press International, Inc.**

3160 N. Kennicott Avenue ■ Arlington Heights, IL60004 ■ <http://www.aaapress.com> ■ [info@aaapress.com](mailto:info@aaapress.com)  
US & CAN Phone 800.678.7222 Fax 800.678.7983 ■ INT. Phone 847.818.1100 Fax 847.818.0071

